

Basic features

Principle of operation	Position sensor
Use	for magnetic sensors BMF

Material

Housing material	Hard ferrite, 24/16 axial magn.
-------------------------	---------------------------------

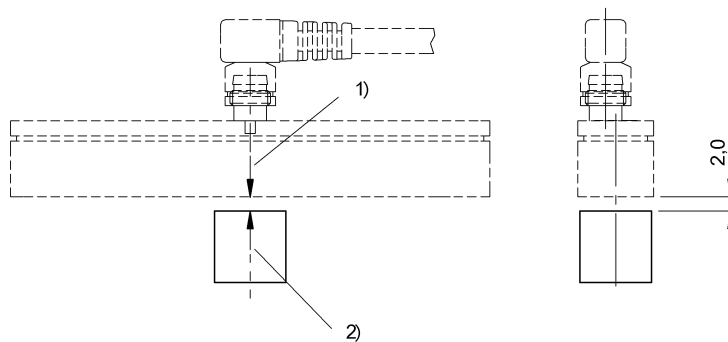
Mechanical data

Dimension	Ø 10 x 10 mm
------------------	--------------

Remarks

1) Reference axis A for the measured value = 2) Symmetrical axis B of the magnet.

Help Views



- 1) Axis A
- 2) Axis B